

XUVE04M3KSNM8

photoelec sensor label fork 40x3 - 12..24 V DC -
PNP/NPN NO/NC connect M8



Main

Range of product	OsiSense XU
Series name	Application packaging
Electronic sensor type	Photo-electric sensor
Sensor name	XUV
Sensor design	Fork
Detection system	Thru beam
Emission	Infrared
Type of setting	Without
Passage width	3 mm
Passage depth	40 mm
Material	PA (polyamide) 12
Supply circuit type	DC
Wiring technique	4-wire
Discrete output type	PNP and NPN
Discrete output function	2 NO/NC programmable
Electrical connection	1 male connector M8, 4 pins
Product specific application	Detection of labels
[Sn] nominal sensing distance	3 mm thru beam

Complementary

Setting-up	Numeric potentiometer
Enclosure material	Polyamide
Lens material	PC
Accuracy	+/- 0.05 mm at 150 m/min
Minimum label length	2 mm
Minimum distance between labels	2 mm
Maximum passing speed of object	200 m/min
Type of output signal	Discrete
Output type	Solid state
Status LED	Output state: 1 LED (yellow) Adjustment mode and keypad locking: 1 LED (red)

Disclaimer: This documentation is not intended as a substitute for and is not to be used for determining suitability or reliability of these products for specific user applications

[Us] rated supply voltage	12...24 V DC with reverse polarity protection
Supply voltage limits	10...30 V DC
Switching capacity in mA	<= 100 mA (overload and short-circuit protection)
Switching frequency	<= 10 kHz
Maximum voltage drop	<2 V (closed state)
Maximum delay first up	30 ms
Maximum delay response	0.1 ms
Maximum delay recovery	0.1 ms
Depth	64 mm
Height	25 mm
Width	10 mm
Net weight	0.035 kg

Environment

Product certifications	CE CULus
Ambient air temperature for operation	-20...60 °C
Ambient air temperature for storage	-30...80 °C
Vibration resistance	7 gn, amplitude = +/- 1.5 mm (f = 10...55 Hz) conforming to IEC 60068-2-6
Shock resistance	30 gn (duration = 11 ms) conforming to IEC 60068-2-27
IP degree of protection	IP65 conforming to IEC 60529

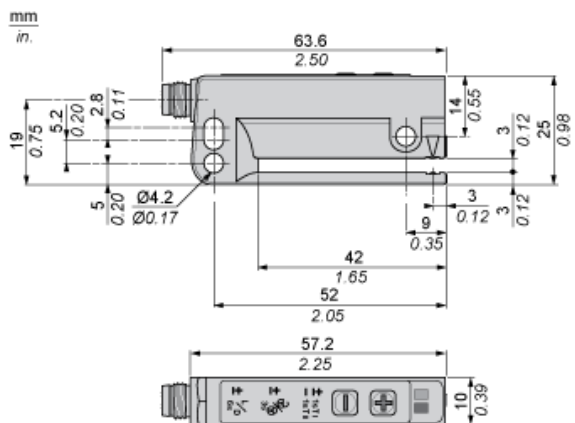
Offer Sustainability

EU RoHS Directive	Pro-active compliance (Product out of EU RoHS legal scope) EU RoHS Declaration
Mercury free	Yes
RoHS exemption information	Yes

Contractual warranty

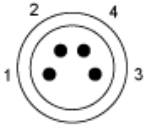
Warranty	18 months
----------	-----------

Dimensions



Wiring Schemes

Connector



- 1 : BN: Brown
- 2 : WH: White (remote teaching)
- 3 : BU: Blue
- 4 : BK: Black)

PNP and NPN Function

